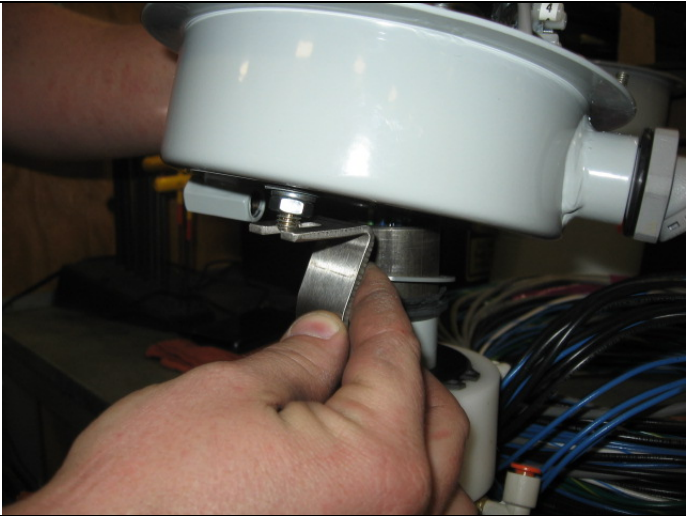
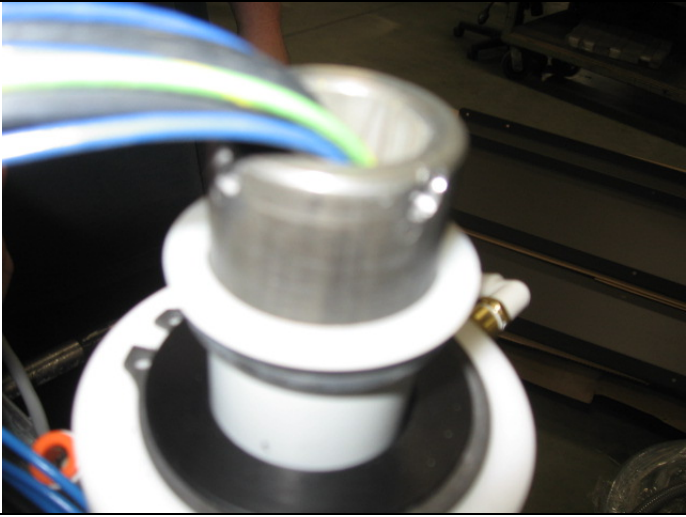
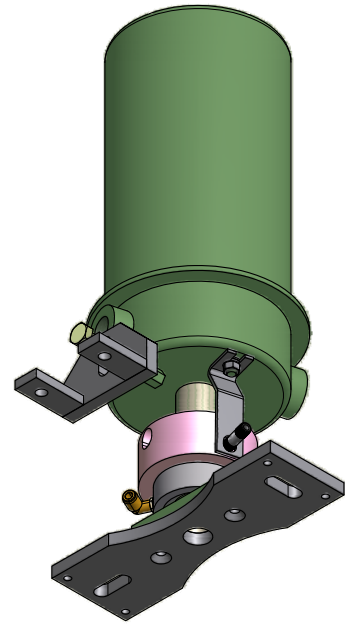
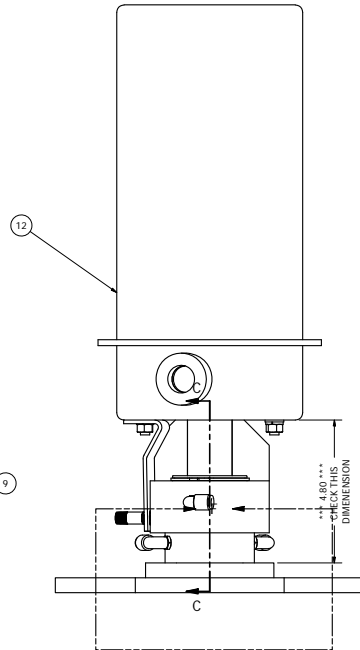
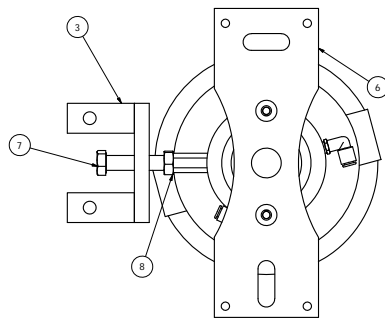
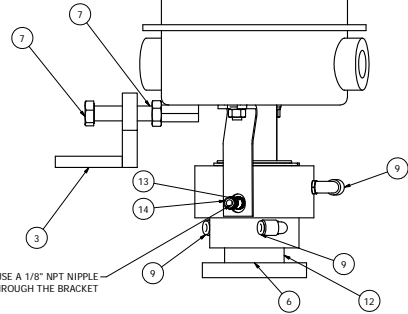


Procedure Steps	
Procedure: Installing a Pneumatic Slip Ring	
Steps	Illustration
Loosen and remove set screws on the base of the slip ring.	
Hold the retraction bar in place while tightening to the base of the slip ring.	
Using a transfer punch, dimple where the set screws are going to go.	
Disassemble the slip ring.	

Steps	Illustration
<p>Using a 7/32" drill bit, drill the punched dimples so that the set screws will hold in place. NOTE: Do not drill all the way through the neck shaft.</p> <p>Place the slip ring lid back on the slip ring. And tighten set screws with pink Loctite.</p>	
<p>Use a dial indicator to align the slip ring position.</p>	

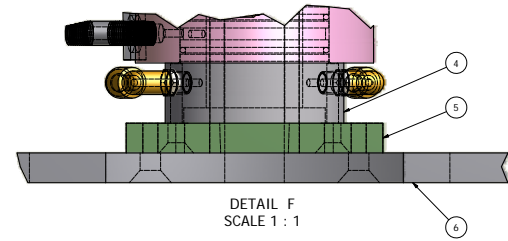


USE A 1/8" NPT NIPPLE
TO RUN THROUGH THE BRACKET

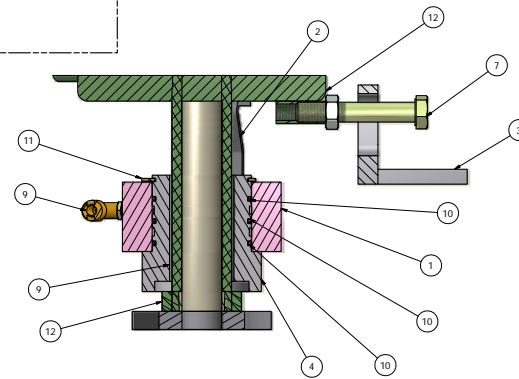


NOTES:

1. USE RED LOCTITE 262 ON BOLT. THE BOLT SHOULD NOT BOTTOM OUT ON THE BRACKET ALLOWING THE ROTATING PORTION OF THE SLIPRING TO SPIN EASIER.
2. USE LOCTITE 425 "ASSURE" FOR IN PLASTIC ON BOLTS
3. APPLY "SUPER LUBE" TO O-RINGS DURING ASSEMBLY
4. ALL BOLTS SHOULD BE LOCTITED IN PLACE.
5. USE SPACERS AS NEEDED PER APPLICATION.
6. WHEN INSTALLING ON THE MACHINE MAKE SURE THE SLIPRING IS CENTERED ON THE ROTARY ARM TO PREVENT ECCENTRIC MIS-ALIGNMENT OF THE COMPONENTS DURING ROTATION.
7. TRANSFER HOLE TO THE SPROCKET ONCE CENTERED TO LOCK DOWN THE POSITION
8. PRE-LABEL BOTH ENDS OF THE WIRES FOR EASE OF FIELD INSTALLATION



DETAIL F
SCALE 1 : 1



SECTION C-C
SCALE 1/16"

Parts List			
ITEM	QTY	PART NUMBER	DESCRIPTION
1	1	0282980	DUAL PASSAGE ROTOSEAL SHELL
2	1	0285151	ROTARY MNT
3	1	0285960	SLIP RING STOP BRKT SPCL
4	1	0285963	DUAL PASSAGE ROTORSEAL CORE
5	1	0286493	SLIP RING TEE BRKT
6	1	0290543	ADAPTER PLATE
7	1	095059	HDW (CI) HHCS 0.50-13 X 3.00 LG GRADE 5 STEEL ZP
8	1	095118	HDW (CI) HXIN 0.50-20 LH STEEL ZP
9	3	715101	PC (CI) SMC KQ2L07-34S 1/4T X 1/8 NPT SWIVEL ELBOW
10	3	729454	SEAL MCMMASTER 9452K147 SEAL O-RING #141 2.5 OD X 3/32 DIA
11	1	730922	MISC (CART ITEM, DO NOT ORDER) TRUARC 5100-250 RETAINING RING EXTERNAL STAINLESS STEEL (OR EQUIVALENT)
12	1	732179	MISC CONDUCTIX SLIP RING 600V 30 WIRE 600V W/NEMA 4 HOUSING & 30FT LEADS
13	1	734827	COND 1/8" X CLOSE STL PIPE NIPPLE
14	1	734828	COND 1/8" X 1.50" LG STL PIPE NIPPLE

DESIGN	DLZ	6/11/2010	ORION PACKAGING INC. 4750 County Road 13 NE Alexandria, MN 56308-9014
CHECKED			
APPROVED			
Tolerances: Unless Noted			THIS DRAWING IS THE PROPERTY OF BRENTON ENGINEERING COMPANY AND IS NOT TO BE LOANED OR REPRODUCED WITHOUT THEIR PERMISSION.
Decimal	Angular	Fractional	TITLE
.00 ± .01	± 1/2	± 1/32	RETRO SLIP RING WITH ROTORSEAL (30 WIRE)
.000 ± .005			SCALE
REMOVAL BURRS AND SHARP EDGES			1:2
DATE			DRAWN
REVISION			0285958